

Ideal to print

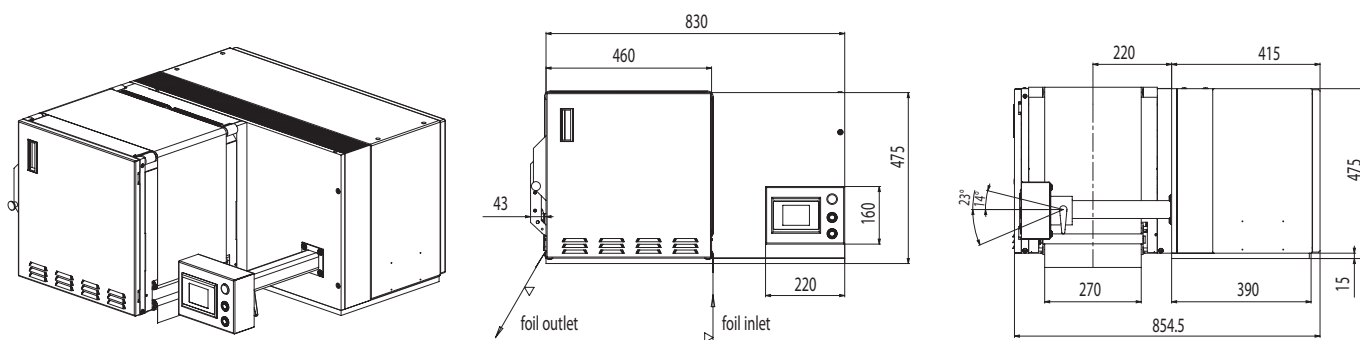
- Artwork, variable text or full graphics
- Unit dose presentation
- RSS codes
- Clinical trials
- Pocket-specific text
- Batch numbers
- Expiration dates
- All types of codes
- On blank or preprinted foil
- Registered print
- Random print

Optimized for

- Inline printing on small- & mid-sized blister packers

Highest print quality on

- Paperback foil
- Bare aluminum foil
- White flood coat foil
- Safety Pack Plus® (SPP) foil
- Tyvec, Paper, PVC/PP and others ...



Performance		Electrical specification		Weight	Working mode
Foil width	max 270 mm	Voltage	400 V/50 Hz – 480 V/60 Hz	approximately 230 kg	Intermittent or continuous
Print area	max 260 mm x 180 mm	Fuse protection	20 A		
Print cycles	max 65 cycles/min	El. connection	3 phases and earth		
Foil speed	max 11.6 m/min	Peak capacity	4.5 kVA		

Hapa – Your total solution provider

FOUNDED IN 1933, HAPA IS THE **WORLD LEADER IN LATE STAGE CUSTOMISATION AND ON DEMAND PRINTING** TECHNOLOGIES FOR THE PHARMACEUTICAL SECTOR, **DELIVERING FAST, ACCURATE AND VALUE-CREATING PACKAGING SOLUTIONS**. SINCE THE INTRODUCTION OF ITS FIRST OVERPRINTING MACHINE MORE THAN FIVE DECADES AGO, HAPA HAS DELIVERED A **CONSTANT STREAM OF INNOVATIONS** TO HELP ITS CUSTOMERS REMAIN RESPONSIVE AND COMPETITIVE IN A FAST-CHANGING MARKET. HAPA'S RANGE OF TECHNOLOGY – **UV FLEXO, UV DIGITAL, UV DOD INKJET, LASER ENGRAVER & HYBRID TECHNOLOGIES** – MAKES US UNIQUELY QUALIFIED **TO CONSULT WITH YOU TO FIND THE RIGHT PACKAGING PRINT SOLUTION** FOR YOUR NEEDS. HAPA IS HEADQUARTERED NEAR ZURICH, **SWITZERLAND**, WHERE A TEAM OF OVER 100 SPECIALISTS ARE ENGAGED IN R&D, DESIGN AND PRODUCTION, SALES AND PROJECT MANAGEMENT AND AFTERMARKET. IN ADDITION, A **WORLDWIDE NETWORK OF SALES AND SERVICE CENTERS** PROVIDES PROFESSIONAL, LOCAL SUPPORT TO HAPA'S INSTALLED BASE OF **OVER 8,000 MACHINES IN 50 COUNTRIES**. HAPA IS A PROUD MEMBER OF **COESIA GROUP**, AN INTERNATIONAL, PRIVATELY OWNED ENTERPRISE. COESIA IS A FEDERATION OF AUTOMATED MACHINERY COMPANIES DEVOTED TO GROWTH AND MARKET LEADERSHIP.



Hapa AG
 Chriesbaumstrasse 4
 8604 Volketswil
 Switzerland
 Phone +41 43 399 32 00
 Fax +41 43 399 32 01
 easyflex@hapa.ch
www.easyflexbyhapa.ch